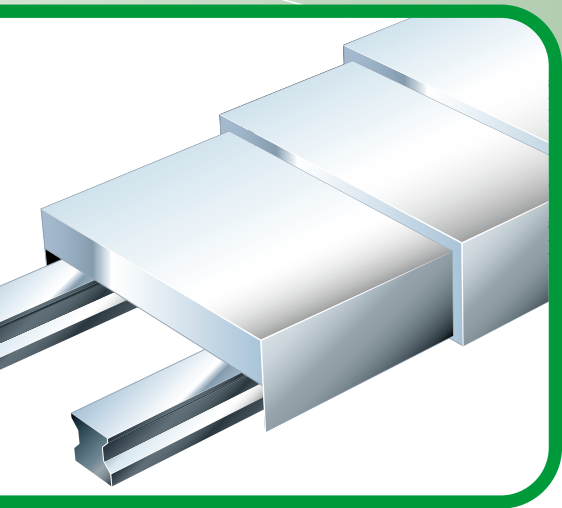


艾泰克机械防护系统（太仓）有限公司

EITEC machine protection systems (Taicang) Co., Ltd.

钢板伸缩式防护罩

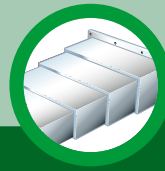
STEEL COVERS



15.Version



刮屑板·铝合金链式防护帘·钢板防护罩·工业卷帘·风琴式防护罩·鳞甲·模块化防护系统
Way Wipers · Alu Apron Covers · Steel Covers · Roll-Away Covers · Bellows · Steel Lamellae · EIPRO Modular Cover Systems



钢板伸缩式防护罩

适用于各种应用形式，各种形状和安装位置，带或不带底部固定元件

TELESCOPIC STEEL COVERS

For all areas of use, in all shapes and installation positions, with or without under-grip

性能

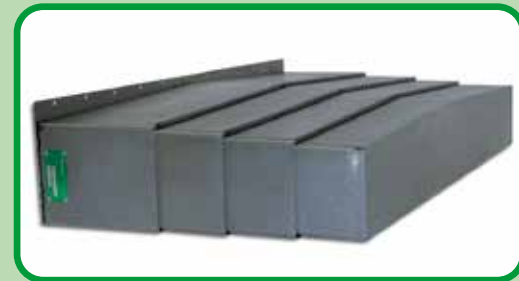
钢板伸缩式防护罩是提高机床运行寿命的重要组成部分。使用它可以达到以下的效用：

- 对导轨系统的完美保护，可以防止切削屑的机械划伤和冷却液的化学腐蚀。
- 紧密组合
- 不锈钢防锈
- 使用寿命长
- 使用条件灵活
- 对意外事故的有效防范
- 采用CAD/CAM设计，加上使用最先进的生产工艺，充分保证首批和重复订单的精确性
- 对于更高速度，剪式伸缩系统会被锁死

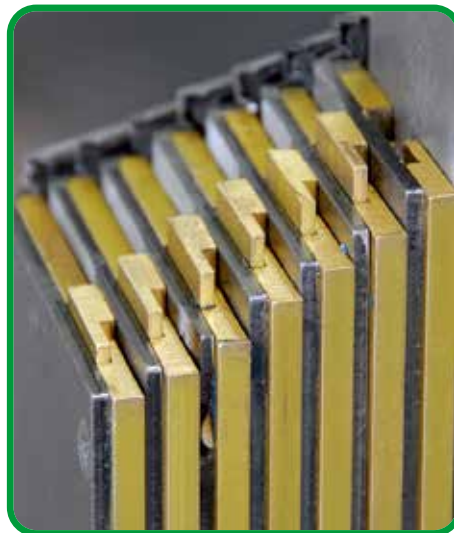
Properties

Telescopic Steel Covers are an important part of a machine tool to increase the runtime. The using of it makes possible:

- Perfectly protection of the guide way against mechanicly influences like chips or chemical influences like coolents
- Tight fit
- Rustproof with stainless steel
- Durability
- In many cases possible to run over it
- Good protection against accidents
- Precise execution of first and repeat
- Orders because of the using of a modern CAD/CAM system and latest technologies
- For higher speeds, shear systems are blocked



典型钢板伸缩式防护罩
Classic telescopic cover.



简单和复杂的剪式伸缩系统
Simple and complex shear systems at various stages.

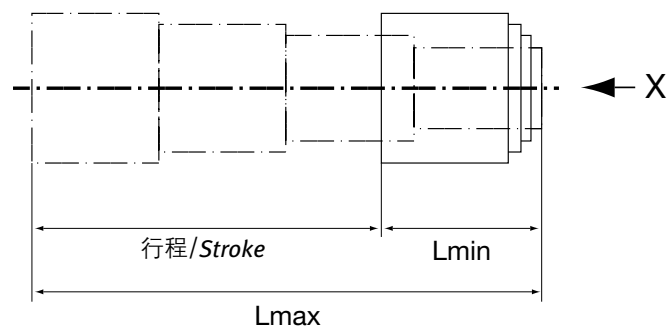
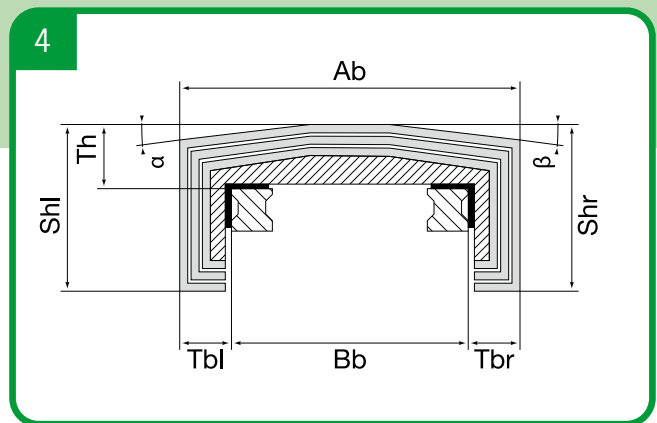
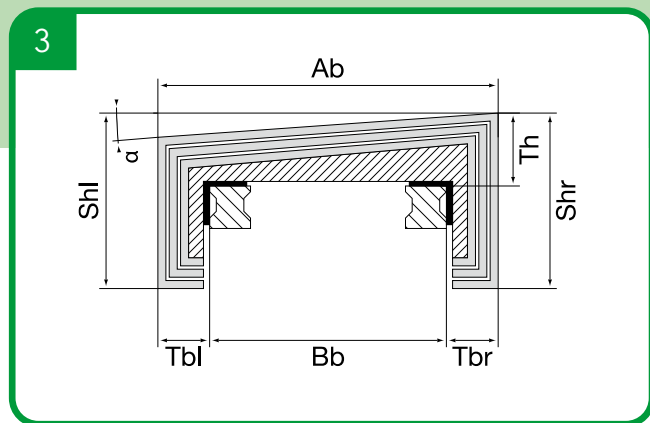
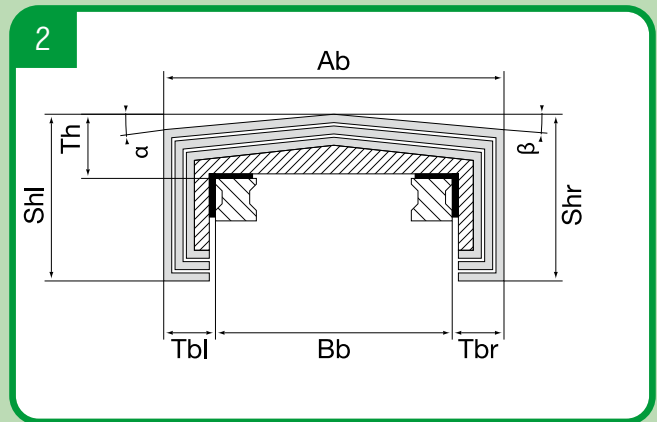
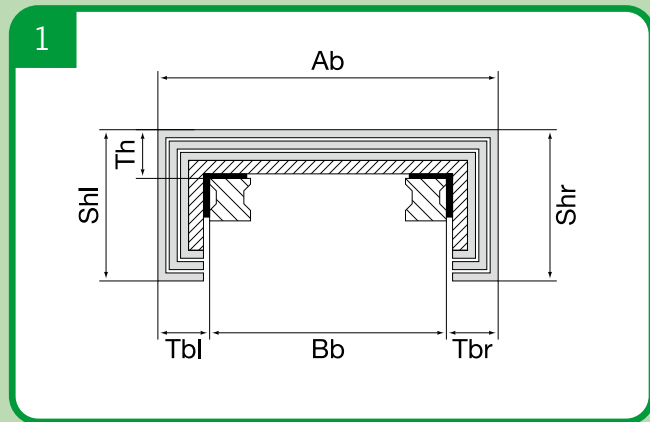
材料

采用耐腐蚀的特殊钢板或高牌号不锈钢。刮屑和导向元件采用防冷却液材料和耐磨损材料制成。

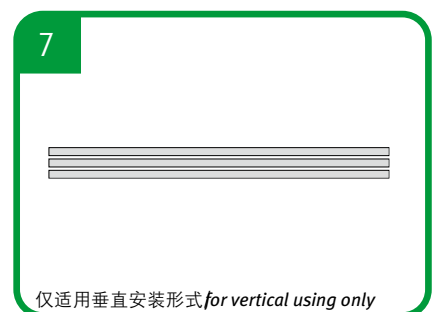
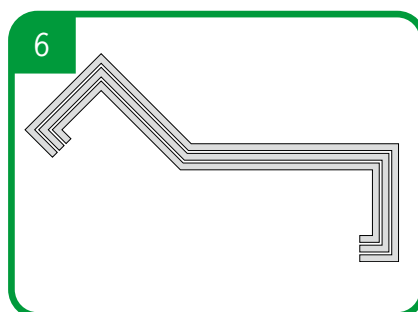
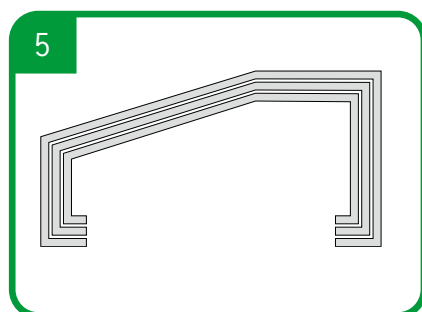
Materials

We use corrosion protected special plates or high-grade steel wiping and guiding elements are made of cooling resistant and are protected against abrasion.

设计和外形 / *Designs and dimensions*



按要求定制特殊形状 / *Special shapes available on request, e.g.*



钢板伸缩式防护罩咨询单

ENQUIRY FORM TELESCOPIC STEEL COVERS

数量/需求(一次性): _____

年需求量: _____

设计(见第3页): _____

技术数据

行程 H = _____ mm
 压缩量 L_{min} = _____ mm
 伸长量 L_{max} = _____ mm
 线速度 V = _____ m/min
 加速度 a = _____ m/s²
 机器类型 湿 干 混合
 防护罩 中部 端部
 材料(钢板) 普通 铬-镍钢
 覆盖长度 Bb = _____ mm
 防护罩宽 Ab = _____ mm
 防护罩左侧高度 Shl = _____ mm
 防护罩右侧高度 Shr = _____ mm
 导轨 Th = _____ mm
 左侧伸缩长度 Tbl = _____ mm
 右侧伸缩长度 Tbr = _____ mm
 左侧倾角 α = _____ °
 右侧倾角 β = _____ °
 运行能力 (ca.80kg) 是 否
 导轨硬度 > 60 HRC 是 否
 机器类型 _____
 轴向 X Y Z
 每天行程 _____
 润滑 _____
 切削屑类型 _____
 环境温度 _____
 导轨类型 _____

附件

刮屑板类型 TSA E2/E3 Ms
 其它 _____
 铜导向元件 塑料导向元件 支撑轨
 键槽 悬挂元件

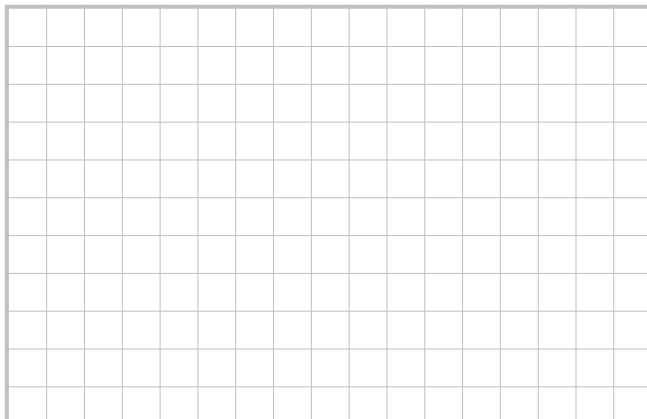
运行方向

水平 垂直 横向 交叉

安装选项

平放 滑动
 悬挂 可拆卸
 请采用单独的表单提供特殊形状的详细描述, 可更改部分, 安装空间, 机器运行环境等。

草图 / Sketch



Number/requirement (one-off): _____

Annual requirement: _____

Design (see page 3): _____

Technical Data

Stroke H = _____ mm
 Compression L_{min} = _____ mm
 Extension L_{max} = _____ mm
 Linear speed V = _____ m/min
 Acceleration a = _____ m/s²
 Type of machining Wet Dry Mixed
 Cover Middle End
 Material (Steel) Regular Chromium-nickel
 Distance across slideways Bb = _____ mm
 Width of cover Ab = _____ mm
 Height of cover left Shl = _____ mm
 Height of cover right Shr = _____ mm
 Slideway Th = _____ mm
 Cover bottom return left Tbl = _____ mm
 Cover bottom return right Tbr = _____ mm
 Inclination left α = _____ °
 Inclination right β = _____ °
 Walk-on capacity (ca. 80 kg) Yes No
 Hardness of guideway > 60 HRC Yes No
 Machine type _____
 Axis X Y Z
 Strokes per day _____
 Lubricant _____
 Type of swarf _____
 Ambient temperature _____
 Rail type for linear guide _____

Equipment

Wiper type: TSA E2/E3 Ms
 Other _____
 Brass conductor Plastic conductor Support rollers
 Gully Suspension device

Direction of travel

horizontal vertical transverse cross-rail

Installation option

lay on slide on
 hang detachable counter-holder
 Please use a separate sheet to give details of special shapes, disruptive parts, mountings, machine environment, etc.

发件人 / SENDER

盖章 / STAMP

公司 / Company

联系人 / Contact

街道 / Street

城市 / City / 区号 / Post Code

电话 / Phone

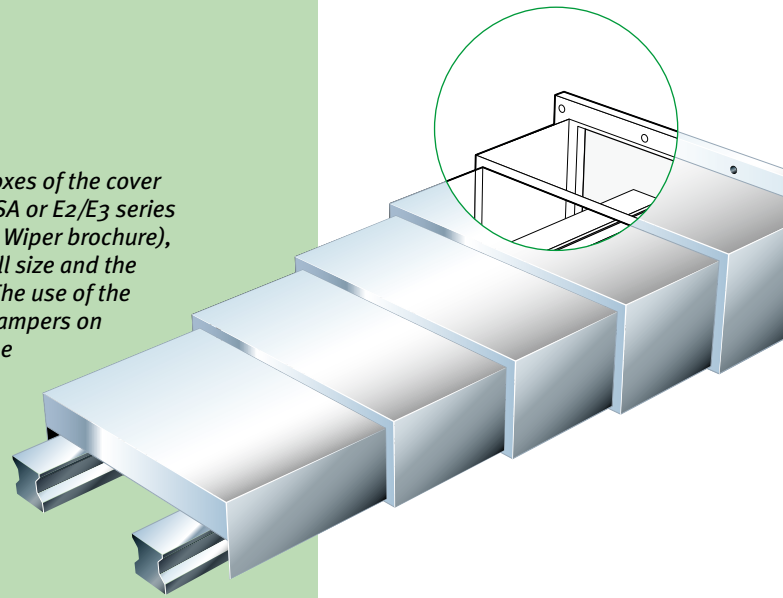
传真 / Fax

密封与导向

根据结构尺寸和特定的使用条件，钢板伸缩式防护罩箱体之间的密封采用艾泰克TSA或E2/E3系列刮屑板（参见艾泰克刮屑板彩页）。TSA-D型刮屑板或其他具有后部缓冲的刮屑板保证防护罩模块系统承受较低的振动。根据结构尺寸，防护罩由导轨，塑料导轨，黄铜导轨或者滚杠来支撑和导向。

Sealing and Guiding

The seal between the boxes of the cover is made possible with TSA or E2/E3 series EITEC wipers (see EITEC Wiper brochure), depending on the overall size and the special circumstances. The use of the TSA-D wipers or other dampers on the back ensures that the cover modules are subject to low vibration. Depending on the overall size, the covers are led and carried by conductors, plastic conductors, brass conductors, or rollers.



伸缩方向 / Principle of the directions of travel



水平 / Horizontal cover



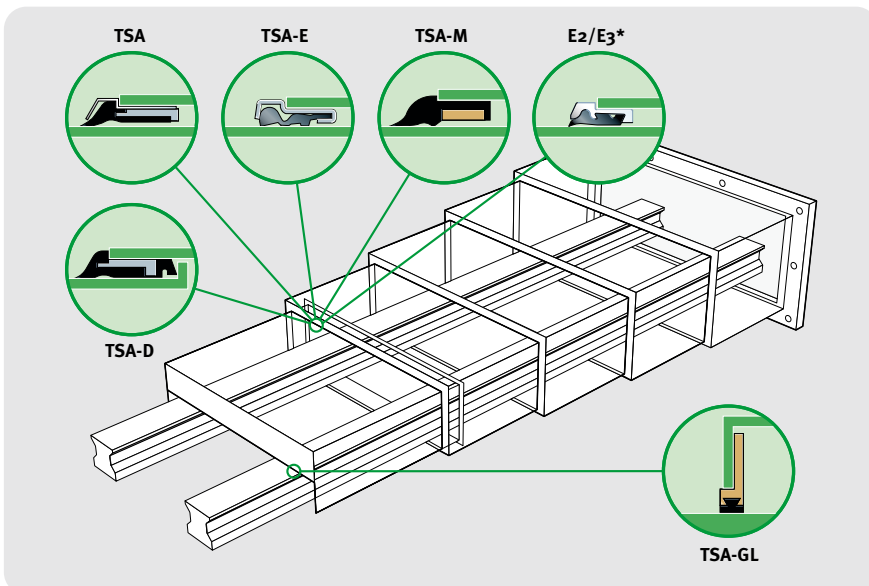
垂直 / Vertical cover



横向 / Transverse-bar cover



倾斜 / Inclined-bar cover



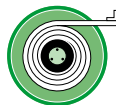
* E系列 E 2D/E 3D, E 2DD/E 3DD, EL2 / E series also E 2D/E 3D, E 2DD/E 3DD, EL2

其它产品

FURTHER PRODUCTS



刮屑板
Way Wipers



工业卷帘
Roll-Away Covers



铝合金链式防护帘
Alu Apron Covers



风琴式防护罩
Bellows



鳞甲
Steel Lamellae

钢板伸缩式防护罩是单独设计以保护人和机器的安全性。其可能的应用几乎不受限制。

由于结构原因，钢板伸缩式防护罩均是在动态条件下使用，因此钢板伸缩式防护罩的设计目的也是为了达到最佳的使用寿命。

*Steel-Away Covers are individually designed to protect people and machines. Their possible applications are almost unlimited.
Steel-Away Covers are designed for optimum service life and due to their material structure they are subject to wear in dynamic use.*

建议和更进一步信息，请联系我们
For advice and further information contact our representative.