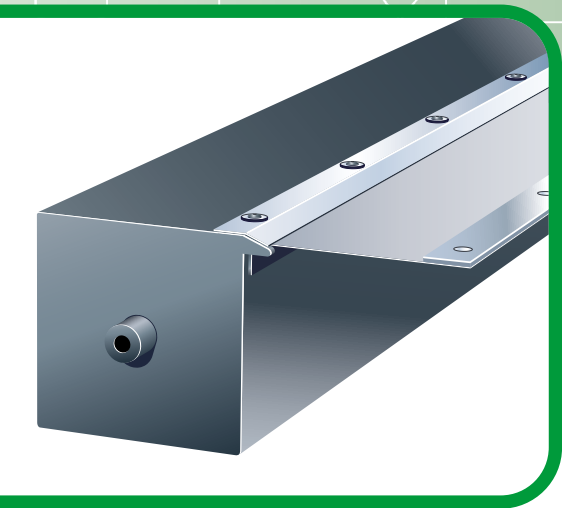


工业卷帘

ROLL-AWAY COVERS



15.Version





内置弹簧驱动马达

在空间受限和不需要完全密封的条件下，艾泰克内置弹簧驱动马达形式的工业卷帘系统可以作为机床低成本防护系统的有效解决方案。艾泰克提供轴承密封的标准AV系列卷帘系统以及为特殊卷帘材料或钢板卷帘系统研发的可以承受较强曳引力的灵活轻型卷帘系统。出于安全和防止污染的原因，建议使用合适的马达外罩。

AV32, MF46, MF60, MF80 型

采用永久润滑滚珠轴承和特殊弹簧系统，有效保证卷轴系统操作的安全性。

优点

- 密封轴承
- 卷轴采用永久润滑滚珠轴承
- 运行速度可达90m/min
- 适用于铝合金链式防护罩

Type AV32, MF46, MF60, MF80

Thanks to the use of rollers on permanently lubricated ball bearings and the employment of special springs a high degree of safety of operation is guaranteed.

Benefits

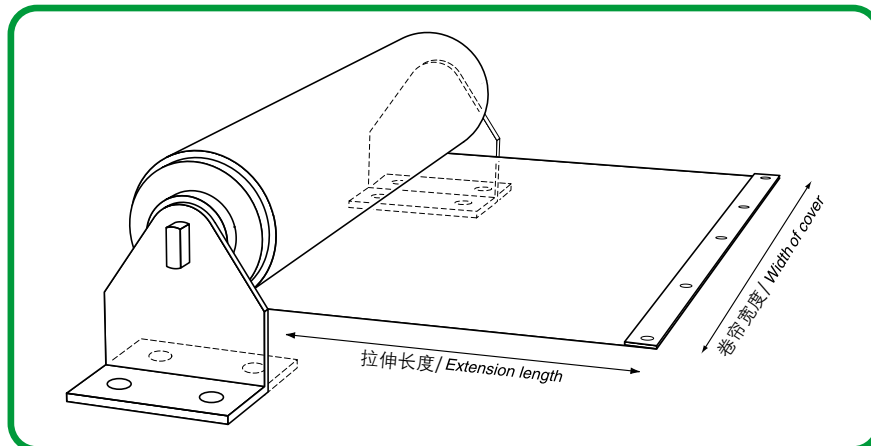
- Sealed bearings
- Rollers on permanently lubricated ball bearings
- For high process speeds, up to 90 m/min
- Suitable for alu apron covers



AV-/MF-系列 / AV/MF Series



轻量化工业卷帘 / Lightweight Roll-Away Covers



INTERNAL SPRING MOTOR

EITEC Roll-Away Covers with internal spring motor are the inexpensive solution for the protection of machine tools when space is restricted and complete sealing is not necessary. EITEC offers either the standard AV series with sealed bearings, or the flexible lightweight roll-away systems, specially developed for cover material, or steel roll-away systems to withstand stronger traction. For reasons of safety and to protect against soiling an appropriate housing is recommended.

轻型工业卷帘

非常适用于要求运行性能较高且磨损低的情况。
建议主要用于合成材料卷帘系统。

优点

- 尺寸小，灵活性高
- 性价比高

钢带卷帘

可采用普通钢带材料，覆盖于外部的卷帘同时可作为弹簧马达。

优点

- 适用于较高运行速度和较强的机械应力要求的情况
- 对切削屑，油和冷冻液乳化剂具有良好的防护作用
- 可按照要求采用耐腐蚀和耐酸的弹簧钢材料。

Lightweight Roll-Away Covers

Very well suited for high running performance with low level of wear. Recommended for use chiefly on synthetic covers.

Benefits

- Flexible, due to small size
- Good value for money

Steel Roll-Away Covers

Available with normal steel material, as the outer cover serves also as a spring motor.

Benefits

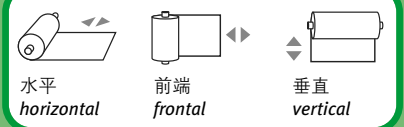
- For higher process speeds and greater mechanical stresses
- Very good protection against contact with chips, oil and coolant emulsion
- Spring steel, resistant to corrosion and acid, on demand



最大伸缩量 / Max. cover extension

卷帘宽度mm cover width in mm	AV 32	MF 46	MF 60	MF 80	轻型卷帘 lightweight	钢带卷帘 steel cover
直到/up to 100	100 mm	-	-	-	300 mm	∞
直到/up to 150	300 mm	-	-	-	500 mm	∞
直到/up to 200	400 mm	350 mm	350 mm	-	700 mm	∞
直到/up to 300	600 mm	750 mm	900 mm	-	1.200 mm	∞
直到/up to 450	950 mm	1.150 mm	1.350 mm	-	1.800 mm	∞
直到/up to 600	-	1.500 mm	1.750 mm	-	2.500 mm	∞
直到/up to 800	-	2.000 mm	2.325 mm	4.000 mm	3.400 mm	∞
直到/up to 1.000	-	2.600 mm	3.000 mm	4.000 mm	4.300 mm	∞
直到/up to 1.300*	-	-	4.000 mm	4.000 mm	5.600 mm	∞

*其它宽度可按要求定制 / Further widths available on request

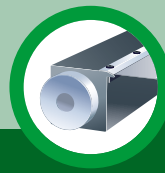


应用领域

对于其它的标准水平或垂直应用，工业卷帘可按对角线安装，对于特殊要求，艾泰克将单独设计解决方案。

Applications

In addition to the standard horizontal or vertical uses, roll-away covers can also be mounted diagonally. For special requirements EITEC will design individual solutions in accordance with customers' wishes.



外置弹簧驱动马达

艾泰克外置弹簧驱动马达形式的卷帘系统可按任何宽度生产。弹簧驱动马达为模块化设计，并带有一个容易更换的弹簧卷片盒。在维护时装配时间短的情况下，由于无需要拆开卷帘，因此维护时间短，卷帘系统可立即重新投入运行，停机时间可以保证至最短。

弹簧马达 FM 170 和 FM 230

这些系统的特征是根据安装空间和运行速度对马达进行单独调整。弹簧马达可用于任何一边并可互换。

优点

- 带滚珠轴承的滚轴
- 更换简易，快速，装配时间短
- 可提供任何宽度
- 可达到非常高的扭矩

Spring Motor FM 170 and FM 230

These systems are characterized by individual adjustment to the space available and process speed. The spring motors may be used on either side and are interchangeable.

Benefits

- Winding reel on ball bearings
- Quick and easy to replace, short assembly times
- Any width can be supplied
- Very high torques attainable



直径 30mm / Diameter 30 mm

厚度 Thickness	预加载 Preload	FM 170		FM 230	
		最大拉伸长度 Max. extension	卷轴直径 Spools ø	最大拉伸长度 Max. extension	卷轴直径 Spools ø
1,0 mm	3	1.272 mm	83 mm	3.045 mm	107 mm
1,2 mm	3	1.328 mm	86 mm	3.235 mm	113 mm
1,5 mm	3	1.413 mm	91 mm	3.523 mm	122 mm
2,0 mm	3	1.554 mm	98 mm	4.003 mm	138 mm
5,5 mm	3	2.543 mm	158 mm	7.366 mm	255 mm

直径 40mm / Diameter 40 mm

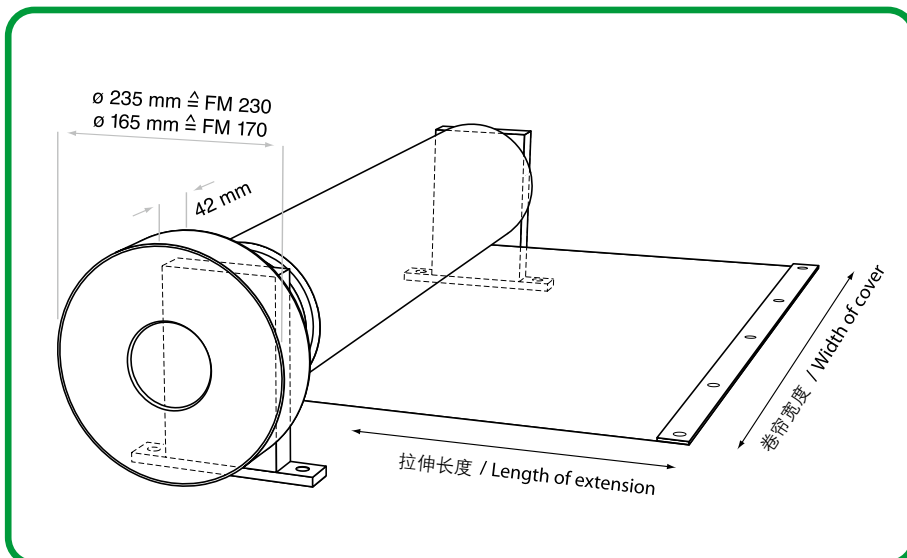
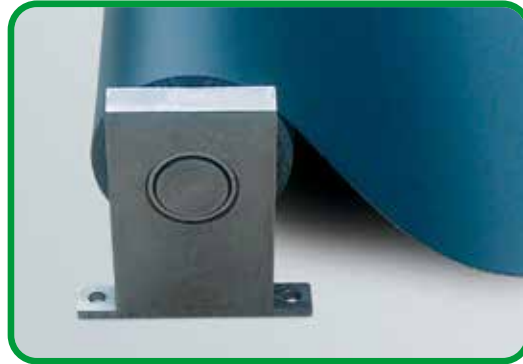
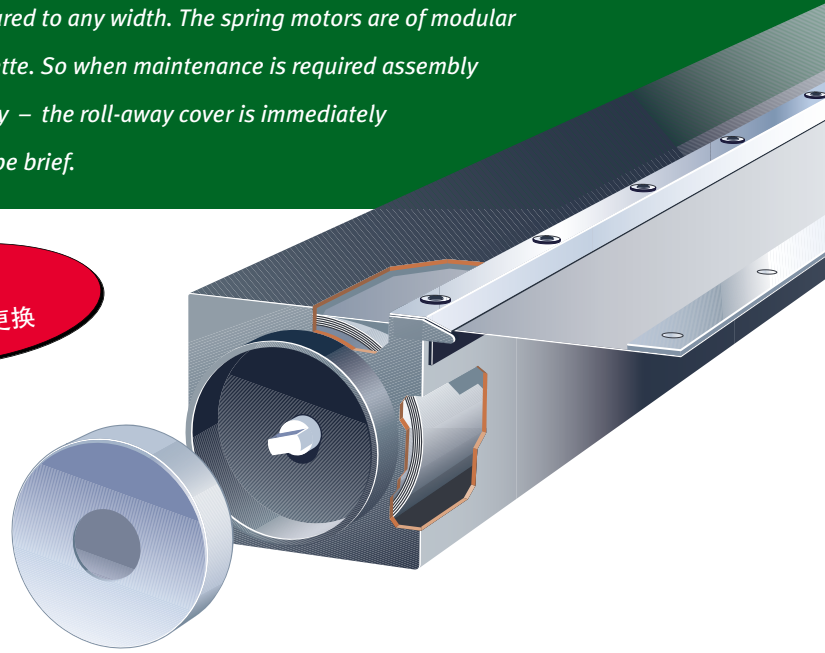
厚度 Thickness	预加载 Preload	FM 170		FM 230	
		最大拉伸长度 Max. extension	卷轴直径 Spools ø	最大拉伸长度 Max. extension	卷轴直径 Spools ø
1,0 mm	3	1.554 mm	101 mm	3.576 mm	124 mm
1,2 mm	3	1.610 mm	105 mm	3.768 mm	130 mm
1,5 mm	3	1.695 mm	109 mm	4.056 mm	139 mm
2,0 mm	3	1.836 mm	116 mm	4.537 mm	155 mm
5,5 mm	3	2.826 mm	173 mm	7.900 mm	268 mm

EXTERNAL SPRING MOTOR

EITEC Roll-Away Covers with external spring motor are manufactured to any width. The spring motors are of modular construction and are fitted with an easily exchanged spring cassette. So when maintenance is required assembly times are short, since no dismantling of the roll-away is necessary – the roll-away cover is immediately ready for operation again; the stoppage period is guaranteed to be brief.

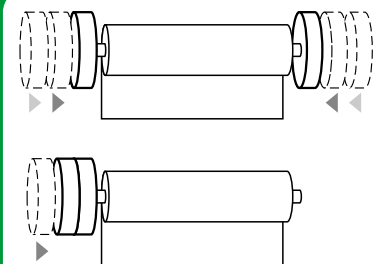
优点
弹簧盒易于更换

Advantage
spring cassette easy to replace



可按要求组合

May be combined as desired



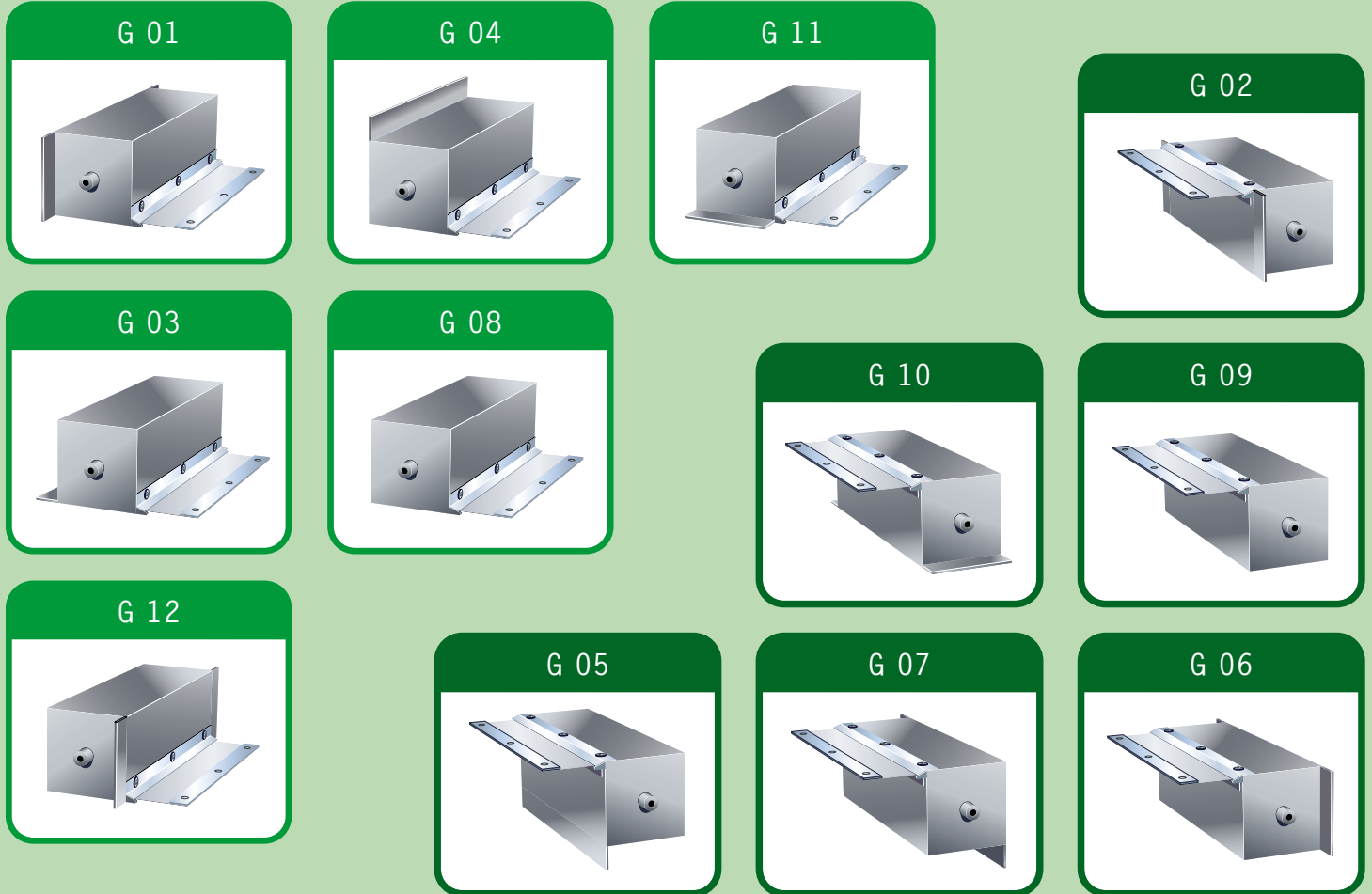
弹簧马达可任意安装并可互换。

Spring motors may be fitted at either end and are interchangeable.

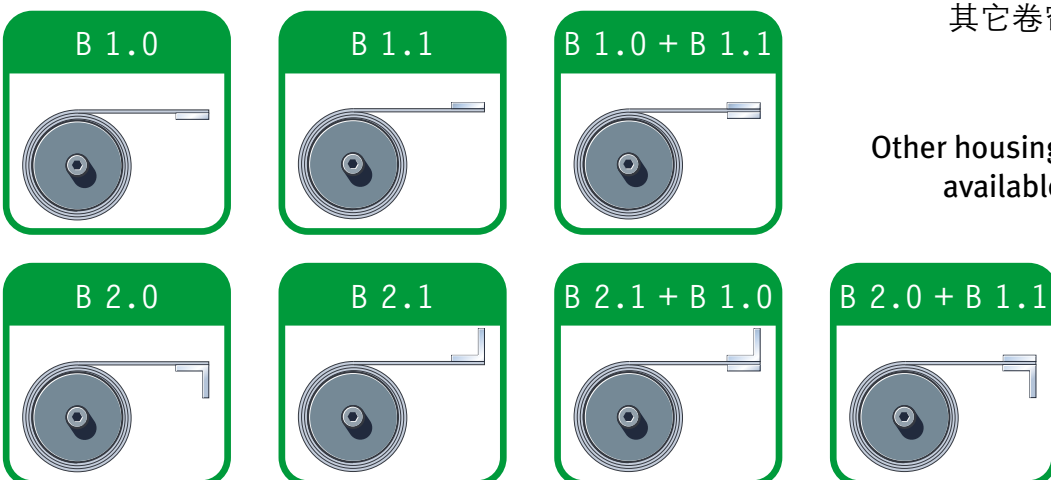
卷帘盒设计及卷帘紧固

HOUSING DESIGNS AND COVER FASTENINGS

卷帘型号 / *Housing models*



卷帘紧固 / *Cover fastenings*



其它卷帘盒设计和卷帘紧固方式
可按要求定制。

Other housing designs and cover fastenings
available individually on request.

材料表

TABLE OF MATERIALS

材料号 Material No.	卷帘涂层 Coating of cover	基材 Base material	厚度 Thickness	耐温范围 Temperature resistance	颜色 Colour	电气性能 Electrical properties
001	铝玻璃纤维 alu-fibreglass	玻璃纤维 fibreglass	0,45 mm	-20°C – 250°C	银色 silver	静电 static
002	FPM, VITON®	聚酰胺 polyamide	0,95 mm	-40°C – 150°C	黑色 black	静电 static
003	聚烯烃 Polyolefin	聚酯 Polyester	1,00 mm	-40°C – 70°C	黑色 black	静电 static
004	玻璃纤维-FPM VITON®-fibreglass	玻璃纤维 fibreglass	0,47 mm	-20°C – 350°C	黑色, 银色 black, silver	静电 static
005	聚烯烃 Polyolefin	聚酯 Polyester	0,45 mm	-40°C – 80°C	黑色, 银色 black, silver	静电 static
006	CMS, Hypalon®	聚酯 Polyester	0,80 mm	-40°C – 80°C	黑色, 银色 black, silver	静电 static
007	Valmex®	聚酰胺 polyamide	1,10 mm	-40°C – 80°C	黑色, 银色 black, silver	静电 static
008	氯丁橡胶 neoprene	聚酯 Polyester	0,60 mm	-20°C – 100°C	黑色 black	静电 static
009	氯丁橡胶 neoprene	聚酯 Polyester	0,90 mm	-20°C – 100°C	黑色 black	静电 static
010	Nylon®-PU	聚酯 Polyester	0,22 mm	-40°C – 120°C	黑色 black	静电 static
011	PU/PVC	聚酯 Polyester	1,10 mm	-10°C – 70°C	绿色 green	防静电 antistatic
012	PU	聚酯 Polyester	0,70 mm	-30°C – 100°C	黑色 black	额外防静电 extra antistatic
013	PVC	聚酯 Polyester	2,10 mm	-10°C – 70°C	黑色 black	防静电 antistatic
014	PU	聚酯 Polyester	0,68 mm	-40°C – 120°C	黑色, 银色 black, silver	静电 static
015	帆布 tarpaulin	聚酯 Polyester	0,50 mm – 1,10 mm	-10°C – 80°C	白色, 黄色, 灰色, 黑色 white, yellow, grey, black	按要求定做 static, antistatic on request
016	Kevlar®	可选 various	0,42 mm	0°C – 600°C	黑色 black	防静电 antistatic
017 ¹⁾	阳极氧化 adonized	铝 Aluminium	5,50 mm – 14,00 mm	-20°C – 120°C ³⁾	金属色 metallic	静电 static
018	不锈钢 stainless steel	钢 ²⁾ steel ²⁾	0,10 mm – 1,50 mm	–	金属色 metallic	防静电 antistatic

1) 见铝合金链式防护罩彩页
1) See Alu Apron Link Covers folder

2) 最大宽度 600mm
2) Max. width 600 mm

3) 采用Alutec LS14/LS25, 耐温可达500°C。
3) By Alutec LS14 / LS 25, up to 500°C

系列 / Series					性能 / Properties							应用领域 Area of Application	
AV 32, MF 46/60/80 AV 32, MF 46/60/80 轻型工业卷帘 Lightweight Roll-Away C.	钢带卷帘 Steel Roll-Away Covers	弹簧马达 FM 170 和 FM 230 Spring Motor FM 170/FM230	防水 waterproof	防乳化液 emulsion resistant	防油 oil resistant	耐化学腐蚀 chemical resistant	防火花 spark resistant	防高温切削屑 Resistant to hot swarf	自熄性 self-extinguishing				
●	●	●						●	●	●			高温应用 high temperature application
●	●	●	●	●	●	●		●	●	●			易产生切削屑 high incidence of (hot) chips
●	●	●	●	●	●	●		●					重型机械, 防水 heavy-duty model, high incidence of water
●	●	●	●					●	●	●			高温应用 high temperature application
●	●		●	●	●	●							标准材料 standard material
●	●		●	●	●	●							标准材料 standard material
●	●		●	●	●	●							标准材料 standard material
●	●		●	●									防尘 dust protection
●	●		●	●	●	●							标准材料 standard material
●	●		●		●	●							轻量化应用, 空间受限 light use, restricted space
●	●		●										包装行业, 陶瓷, 防尘, 电子 packaging industry, ceramics, dust, electronics
●	●		●										包装行业, 陶瓷, 防尘, 电子 packaging industry, ceramics, dust, electronics
●	●		●										重型机械, 高度防切削屑 heavy-duty model, high incidence of swarf
●	●	●	●	●	●	●	●						水切割机 water-jet cutting machines
●	●		●	●	●	●	●						机床, 测量与控制技术 medical technology, measurement and control techn.
●	●		●					●	●	●	●		激光和等离子切割机 laser and plasma cutting machines
	●	●	●			●	●	●	●				重型机械, 高度防切削屑 heavy-duty models, high incidence of swarf
	●		●	●	●	●	●	●	●				重型机械, 高度防切削屑 heavy-duty models, high incidence of swarf

技术规范可按要求更改。
Technical specifications are subject to change.

工业卷帘咨询单

ENQUIRY FORM ROLL-AWAY COVERS

应用:

- 磨床, 车床 铣床
 加工中心 升降/切割台面
 其它应用机型 _____

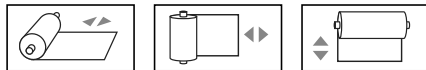
有害介质:

- 钢屑 铸铁屑
 铜屑 铝屑
 木屑 灰尘
 研磨浆 焊接
 蒸汽 冷却液
 矿物油
 其它 _____

落在卷帘上物质重量: _____ kg
 落在卷帘上物质温度: _____ °C
 环境温度: _____ °C
 最大运行速度: _____ m/min
 最大加速度: _____ g
 每小时工作循环: _____
 每天运行时间: _____ 小时

工业卷帘 带卷帘盒 无卷帘盒

卷帘宽度: _____ mm
 最大拉伸长度: _____ mm
 最大总宽度: _____ mm
 卷帘盒尺寸: _____ mm



工作位置 水平 正面 垂直

单件用量: _____ 件
 年用量: _____ 件
 批次用量: _____ 件

Application:

- grinding machine, lathe, milling machine
 processing centre lifting bench, cutting table
 machine for _____

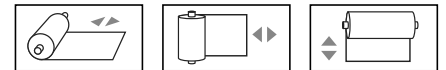
Harmful Agents:

- steel swarf casting swarf
 brass swarf aluminium swarf
 wood shavings dust particles
 abrasive slurry welding spatter
 steam coolants
 mineral oil
 other _____

Quantity of material that falls onto the cover: _____ kg
 Temperature of material that falls onto the cover: _____ °C
 Temperature of working environment: _____ °C
 Maximum process speed: _____ m/min
 Maximum acceleration: _____ g
 Working cycles per hour: _____
 Working hours per day: _____ hrs

Roll-Away Cover with housing without housing

Width of cover: _____ mm
 Max. extension: _____ mm
 Max. total width: _____ mm
 Housing dimensions: _____ mm



Working position horizontal frontal vertical

Single use: _____ items
 Annual use: _____ items
 Batch size: _____ items

卷帘紧固/

- B 1.0 B 1.1 B 1.0 + B 1.1
 B 2.0 B 2.1 B 2.1 + B 1.0 B 2.0 + B 1.1

卷帘盒型式/

- G 01 G 02 G 03 G 04
 G 05 G 06 G 07 G 08
 G 09 G 10 G 11 G 12

卷帘材料/

- 001 002 003 004
 005 006 007 008
 009 010 011 012
 013 014 015 016
 017 018

发件人 / SENDER

盖章 / STAMP

公司 / Company _____

联系人 / Contact _____

街道 / Street _____

城市 / City / 区号 / Post Code _____

电话 / Phone _____ 传真 / Fax _____

性能/ Type	AV 32	MF 46	MF 60	MF 80	轻型卷帘 lightweight	钢带卷帘 steel cover	FM 170	FM 230
驱动型式 Drive form	内置弹簧马达 internal spring motor						外置弹簧马达 external spring motor	
有无卷帘盒 Housing possible	✓	✓	✓	✓	✓	✓	✓	✓
卷帘材料 Tape material possible	✓	✓	✓	✓	✓	-	✓	✓
是否适用铝合金链式防护帘 Apron link covers possible	✓	✓	✓	✓	-	-	✓	✓
卷帘最大宽度 ¹⁾ Max. width of cover ¹⁾	6.000 mm	6.000 mm	6.000 mm	6.000 mm	6.000 mm	600 mm	6.000 mm	6.000 mm
最大拉伸长度 ²⁾ Max. extension ²⁾	8.000 mm	8.000 mm	8.000 mm	8.000 mm	8.000 mm	8.000 mm	8.000 mm	8.000 mm
最大运行速度 Max. process speed	90 m/min	90 m/min	90 m/min	90 m/min	60 m/min	60 m/min	90 m/min	90 m/min
快速改变方向 Quick change of direction	●	●	●	●	●	●	●	●
寿命 Durability	●	●	●	●	●	●	●	●
耐污性 Dirt susceptibility	●	●	●	●	●	●	●	●
曳引状态性能 Behaviour under traction	●	●	●	●	●	●	●	●

● = 极好 ● = 很好 ● = 好 1) 视材料而定 2) 视安装状态而定 技术规范可更改。
 excellent very good good 1) Depending on the material 2) Depending on the installation position Technical specifications are subject to change.

其它产品 FURTHER PRODUCTS



建议和更进一步信息，请联系我们
 For advice and further information contact our representative.

工业卷帘是单独设计以保护人和机器的安全性，其可能的应用几乎不受限制。
 由于结构原因，工业卷帘均是在动态条件下使用，因此工业卷帘的设计目的也是为了达到最佳的使用寿命。

Roll-Away Covers are individually designed to protect people and machines. Their possible applications are almost unlimited.
 Roll-Away Covers are designed for optimum service life and due to their material structure they are subject to wear in dynamic use.

